

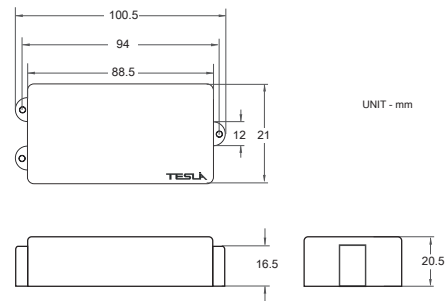
CORONA-B3

The Corona-B3 unique shape is responsible to pick up the vibrations from all of the different string positions, it is perfectly balanced. This extremely powerful versatile humbucker features the ultimate in noise reduction. The Corona-B3 humbuckers are carefully made with heavy Formvar copper wire and Alnico 5 pole piece magnets.

Equipped with 4 wire leads that give the player endless tonal possibilities.



Position	D.C.Resistance	Resonant Peak	Spacing	Output Level	Tone Chart:
BRIDGE:	9.7 kohm	5.2 kHz	67 mm	MID-HIGH	



MORE INFORMATION

Type: DUAL COIL

Copper Wire: HEAVY FORMVAR

Magnet: ALNICO 5 (POLEPIECES)

4-CONDUCTOR WIRE:

RED-HOT

WHITE & BLACK-CENTER

GREEN & SHIELD-GROUND

PICKUP COLOR:

BLACK

MUSIC STYLES:

ROCK, METAL, JAZZ, FUNK, POP